

Technical Committee Meeting Diagnostic Imaging Standards



Radisson on Flagstaff Hotel, William Street, Melbourne
Friday 26th March 2004

Introductions

Session Panel:

Chris Lynton-Moll – CCeH

Jane Darby - CCeH

Aim of Meeting

- This meeting is a follow up from the Radiology Messaging Workshop, held in Sydney on 14th August 2003.
- This Technical Committee Meeting will build on the work carried in previous meetings.
- This meeting will focus on work on an Australian Standard for Radiology messaging.

Agenda

- Status update
- Message Standard Development
 - Development process
 - Public Comment
 - Presentation of first draft standard
- Recommendations
- Close

Outcomes of Previous Meeting

- Is it applicable to use LOINC codes in OBR-4
- Recording patient medication to be referred back to IT 14-6-5
- Medicare number to be accommodated in PID-3
- Need to agree on what items are atomisable
- Identify specific problems that have occurred in Pathology Messaging Standard
- OASIS implementation has been 'generalised'
- First draft of Radiology Imaging Standard to be prepared

Message Standard Development

- CCeH commissioned by DoHA to write draft Standard
- First draft circulated 28th February 2004
- Public Comment due on 31st March 2004
 - Workshop participants
 - IT 14 community
 - Diagnostic Imaging community
- Distribute second draft 3rd May 2004
- Receive second public comment 14th May 2004
- Deliver third draft to DoHA & Standards Australia 4th June 2004

Message Standard Development

Item	Category	Version	Year	Status	Priority	Project
1	Radiology Imaging	1.0	2008	Active	High	AS 4700.2
2	Radiology Imaging	1.0	2008	Active	High	West Vic
3	Radiology Imaging	1.0	2008	Active	High	OASIS
4	Radiology Imaging	1.0	2008	Active	High	IHE
5	Radiology Imaging	1.0	2008	Active	High	DICOM
6	Radiology Imaging	1.0	2008	Active	High	HL7
7	Radiology Imaging	1.0	2008	Active	High	AS 4700.2
8	Radiology Imaging	1.0	2008	Active	High	West Vic
9	Radiology Imaging	1.0	2008	Active	High	OASIS
10	Radiology Imaging	1.0	2008	Active	High	IHE
11	Radiology Imaging	1.0	2008	Active	High	DICOM
12	Radiology Imaging	1.0	2008	Active	High	HL7
13	Radiology Imaging	1.0	2008	Active	High	AS 4700.2
14	Radiology Imaging	1.0	2008	Active	High	West Vic
15	Radiology Imaging	1.0	2008	Active	High	OASIS
16	Radiology Imaging	1.0	2008	Active	High	IHE
17	Radiology Imaging	1.0	2008	Active	High	DICOM
18	Radiology Imaging	1.0	2008	Active	High	HL7
19	Radiology Imaging	1.0	2008	Active	High	AS 4700.2
20	Radiology Imaging	1.0	2008	Active	High	West Vic

Slide 7

Technical Committee Meeting Diagnostic Imaging Standards



Message Standard Development

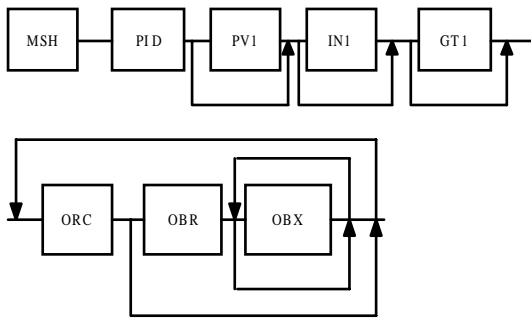
- AS 4700.2 Pathology orders and results
- West Vic Imaging implementation specification
- Generalised OASIS Implementation Specification, prepared by Kestral Computing
- Integrating the Healthcare Enterprise (IHE) project on convergence between the HL7 (messaging) and DICOM (imaging) standards

Slide 8

Technical Committee Meeting Diagnostic Imaging Standards



Message Standard Development - ORM

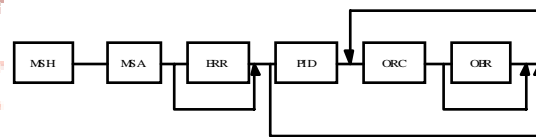


Slide 9

Technical Committee Meeting Diagnostic Imaging Standards



Message Standard Development - ORR

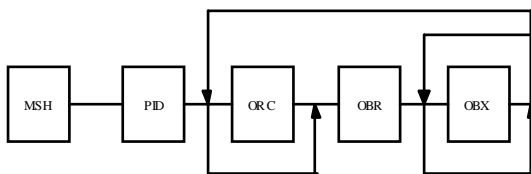


Slide 10

Technical Committee Meeting Diagnostic Imaging Standards



Message Standard Development - ORU

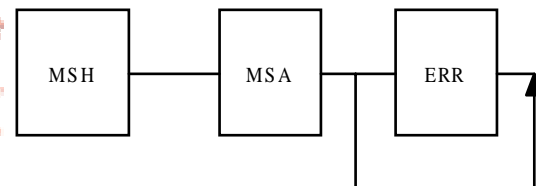


Slide 11

Technical Committee Meeting Diagnostic Imaging Standards



Message Standard Development - ACK



Slide 12

Technical Committee Meeting Diagnostic Imaging Standards



Message Standard Development

- Images as an Observation (OBX)
- Images encapsulated within HL7 message as Base64 MIME encoded binary data.
- Use HL7 Encapsulated Data (ED) Type
 - OBX-2 (value type) ED
 - OBX-3 (Obs'n ID) 245902^CTBrain^LN
 - OBX-5.2 (type of data) IM
 - OBX-5.3 (subtype) JPEG
 - OBX-5.4 (encoding) Base64
 - OBX-5.5 (data) <base64 encoding character stream – refer table for valid characters>

Slide 13

Technical Committee Meeting Diagnostic Imaging Standards



Public Comment

- Comment form distributed
- General & specific comments
- Date set for return of public comment
- Comments collated
- Comments reviewed by Work Group
- Comments incorporated into next draft
- Two iterations of public comment

Slide 14

Technical Committee Meeting Diagnostic Imaging Standards



Public Comment

Clause/ Figure /Table	Page No	Paragraph	Line No	Recommended changes and reasons (Exact wording of recommended changes should be given)	Rating

H (High)	Major substantive changes that require reworking
M (Medium)	Amending presentation of discussion of section
L (Low)	Typographical error/non-substantive amendments

Slide 15

Technical Committee Meeting Diagnostic Imaging Standards



Public Comment – Work Group

David Barton – Department of Health and Ageing
 Bob Hall – Kestral Computing
 John Droukas – AIR
 Heath Frankel – MCA
 Michael Legg – IT 14-6-5
 Chris Lynton-Moll – CCeH
 Mark Tie - RANZCR

Slide 16

Technical Committee Meeting Diagnostic Imaging Standards



Outcomes

- Draft Australian Standard for Diagnostic Imaging
- Delivery of draft to Standards Australia & Department of Health and Ageing
- Delivery of final report to Department of Health and Ageing
 - Where applicable, an explanation as to why any (some) of the outcomes and objectives of the project were not achieved
 - Where applicable, recommendations on how any outcomes or objectives that were not achieved could be achieved in the future

Slide 17

Technical Committee Meeting Diagnostic Imaging Standards

